

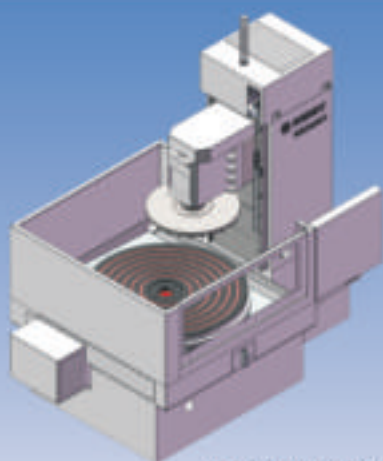
WRS Series CNC Rotary Surface Grinders



WRS-300 Horizontal Spindle



Rotary Table
Ø1200 mm & 630 mm



WRS-Vertical Spindle



WRS-600 Horizontal Spindle



Models		WRS 300H	WRS 300V	WRS 600H	WRS 600V
Work Piece					
Max. Dia of Work Piece Clamped	mm	550	550	1100	1100
Min. Dia of Work Piece Clamped (center)	mm	80	80	200	200
Max. Dia of Work Piece Ground at a Nominal Height of Wheel Dia 400mm	mm	365	265	550	450
Work Piece Weight max.	Kg	300	300	1800	1800
Circular Table (B-axis)					
Diameter of Adapter Plate / Magnetic bed	mm	630	630	1200	1200
Operating Height	mm	1060	1060	1060	1060
Speed Range	rpm	7.5-150	7.5-150	7.5-50	7.5-50
Cross Slide (Z-axis)					
Stroke	mm	430	430	600	600
Speed	mm/min	7.5-1400	7.5-1400	7.5-1400	7.5-1400
Resolution	mm	0.002	0.002	0.002	0.002
Vertical Slide (Y-axis)					
Stroke	mm	415	360	550	360
Speed	mm/min	0.06-180	0.06-180	0.06-180	0.06-180
Resolution	mm	0.002	0.002	0.002	0.002
Grinding Wheel					
Max. Wheel Dia	mm	450	410	450	675
Min. Dia of Wheel (at the Discarded size)	mm	310	-	310	-
Bore Dia	mm	203	203	203	203
Max. Height (Vertical)/Width (Horizontal)	mm	90	90	90	90
Grinding Spindle Nose					
Diameter	mm	80	-	80	-
Taper		1:5	-	1:5	-
Taper length	mm	80	-	80	-
Driving Power	kW	11	15	11	15
Speed	rpm	1500	1500	1500	1500
Hydraulic System					
Tank Capacity	Ltr.	27	27	27	27
Pump Feed Rate	ltr/min.	5	5	5	5
Oil Viscosity	mm ² /S	32	32	32	32
Coolant System					
Tank Capacity app.	ltr.	400	400	600	600
Coolant Flow Rate	ltr/min.	100	100	250	250
Electrical Controls					
Controls		Siemens	Siemens	Siemens	Siemens
Switch Gear		Siemens	Siemens	Siemens	Siemens
Switch Cabinet		Rittal	Rittal	Rittal	Rittal
Installation Data					
Total Weight	Kg	5400	5400	6000	6000
Total Connected Load	kVA	20.2	29	36	36

Ideal Applications

- Precision grinding of Auto Components like Connecting Rods, Rocker Arms etc.
- Engineering Components like Die & Moulds, Compressor Valve Plates, Pumps etc.
- Ceramic and Refractory parts

Some of the exclusive features :

- Offered in 2-axis and 3-axis configuration
- Rotary table diameter in sizes 630mm and 1200mm
- Retraction of wheel head in case of power supply failure and alarms
- Choice of CNC controls... Siemens 802 DSL, Siemens 810DE, Siemens 840 DE
- Specific custom built accessories and tooling

Since continuous improvements are made, specifications are subject to change without notice.

WENDT (INDIA) LTD.

69/70, Sipcot Industrial Complex, Hosur-635 126, Tamil Nadu.
 Ph: +91-4344-276851, 276852, 276254, 405500, 405501.
 Fax: +91-4344-405620, E-mail: wil@wendtindia.com Web: www.wendtgroup.com

Regional Offices:

BANGALORE ● BARODA ● CHENNAI ● COIMBATORE ● DELHI ● FARIDABAD ● HYDERABAD ● HOSUR
 ● JAMSHEDPUR ● KOLKATA ● MUMBAI ● NAGPUR ● NASHIK ● PUNE ● RUDRAPUR

For more information contact:
 E-mail: satishkumars@wendtindia.com
 venkateshms@wendtindia.com