

WDM Series

Wheel Profiling Machines



WDM-8 with Video Vision



WDM-8 with Profile Projector



Application

Dressing and Profiling of Straight and Convex Diamond or CBN Grinding Wheels Mounted on Wheel Pack

Salient features :

- Ergonomically designed
- Operator friendly
- Easy accessibility for operation
- Easily accessible operator pendant
- Rigid design

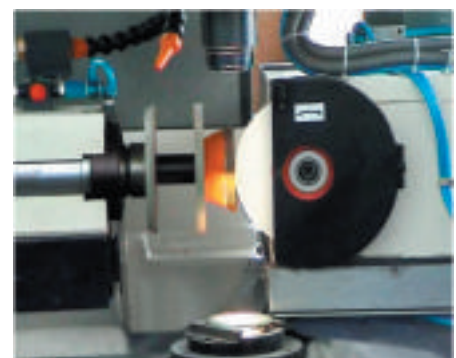
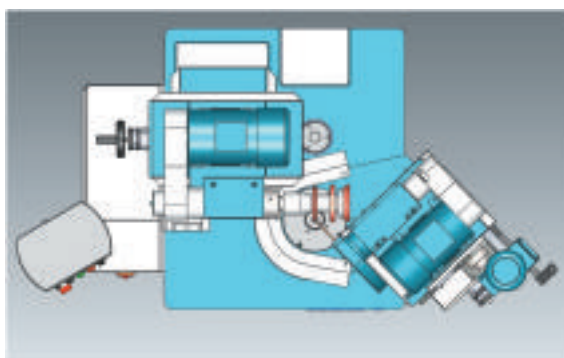
- Linear bearings for slide movement
- Stress relieved castings
- Precision work and wheel spindle
- Customized work spindle front nose

Optional features :

- Variable speed for work and wheel spindle
- Motorised arrangement for work head axis
- Linear scale with Digital read out for work head axis

| Diamond/CBN Wheel | | WDM - 8P | WDM - 8V |
|---------------------------------------|--------------|---------------------------|---------------------------|
| Max. Dia Ground | mm | 160 | 160 |
| Min. Dia Ground for Straight Wheels | mm | 25 | 25 |
| Max. width Ground for Straight Wheels | mm | 20 | 20 |
| Wheel Head / Dressing Head | | | |
| Dressing Spindle | mm | ∅ 60 x 250 | ∅ 60 x 250 |
| Dressing Wheel | mm | ∅ 180 x ∅ 31.75 x 6/13 | ∅ 180 x ∅ 31.75 x 6/13 |
| Speed | rpm | 3000 (300-3000 Variable*) | 3000 (300-3000 Variable*) |
| Oscillation Stroke | mm | 40 | 40 |
| Oscillation Speed (max.) | strokes/min. | 40 | 40 |
| Swivel Range | | 190° (± 95°) | 190° (± 95°) |
| Motor Power | kW | 0.37 | 0.37 |
| Work Head | | | |
| Work Head Grinding Spindle | mm | ∅ 60/80 x 250 | ∅ 60/80 x 250 |
| Work Speed | rpm | 950 (150-1500 Variable*) | 950 (150-1500 Variable*) |
| Infeed X-axis | mm | 70 | 70 |
| Cross Traverse | mm | 150 | 150 |
| Motor Power | kw | 0.55 | 0.55 |
| Image Display | | Optics | Video Vision |
| Magnification | | 10X, 20X | 12X to 55X |
| Focal Adjustment | mm | ± 20 | ± 20 |
| Screen Size | mm | ∅ 220 | 17"/19" Monitor |
| Software | | - | Wendt Metrologix V1.0 |
| Installation Data | | | |
| Dimensions | mm | 1100 x 750 x 1780 | 1100 x 960 x 1780 |
| Weight | kgs. | 650 | 650 |

Position Measurement for two work head axes, one wheel head axis and swivel axis available as option *Optional Feature



Since continuous improvements are made, specifications are subject to change without notice.

WENDT (INDIA) LTD.

69/70, Sipcot Industrial Complex, Hosur-635 126, Tamil Nadu.
 Ph: +91-4344-276851, 276852, 276254, 405500, 405501.
 Fax: +91-4344-405620, E-mail: wil@wendtindia.com Web: www.wendtgroup.com

For more information contact:
 E-mail: satishkumars@wendtindia.com
 venkateshms@wendtindia.com

BANGALORE • BARODA • CHENNAI • COIMBATORE • DELHI • FARIDABAD • HYDERABAD • HOSUR
 • JAMSHEDPUR • KOLKATA • MUMBAI • NAGPUR • NASHIK • PUNE • RUDRAPUR